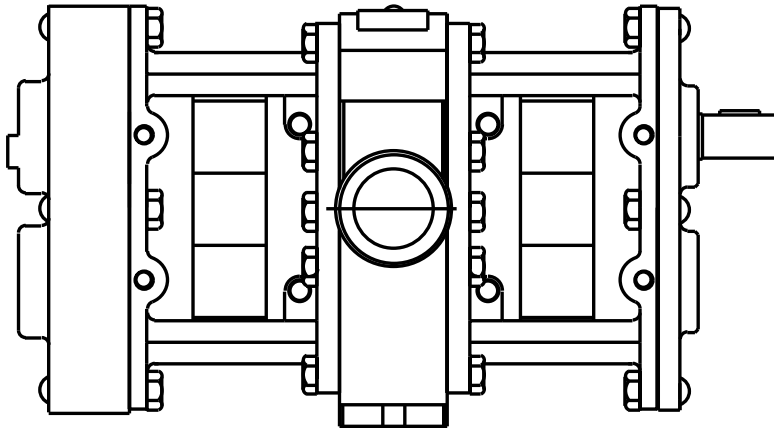


EDWARDS GEAR PUMPS REPAIR PARTS INDEX



READ AND UNDERSTAND THE PUMP AND MOTOR
INSTRUCTIONS BEFORE ATTEMPTING TO INSTALL,
DISASSEMBLE OR REPAIR THE PUMP



AURORA® EDWARDS SERIES

**EDWARDS GEAR PUMPS
 MODELS 20, 80, 150,
 160, 300, and 400**

TABLE OF CONTENTS

PUMP MODEL	PAGES
MODEL 20	4-5
MODEL 80	6-7
MODEL 150	8-9
MODEL 160	10-11
MODEL 300	12-13
MODEL 400	14-15

MATERIAL CODE INDEX

MATERIAL CODE	DESCRIPTION
010	Gray Cast Iron - Class 30
028	Malleable Cast Iron
053	Ductile Iron 60-45-10
058	Wrought Carbon Steel C1018
062	Carbon Steel C1040
063	Carbon Steel C1045
080	Steel Fasteners SAE #2
082	Steel Fasteners SAE #5
087	Wrought Steel Misc. Appl
088	Wrought Spring Steel
100	303 Stainless Steel
104	316 Stainless Steel
107	416 Stainless Steel
108	440 C Stainless Steel Hardened
109	416 Stainless Steel - Heat Treated
111	Alloy 20 Stainless Steel
190	Bronze Fastener Hardware
199	Lead Semi-Red Brass 81-3-7-9
208	Lead Red Brass 85-5-5-5
225	Cast Silicon Brass
319	Cast or Wrought Aluminum
360	Cadmium Plated Steel
370	Chrome Plated Cast Iron
387	Galvanized Malleable Iron
457	Buna-N
478	Neoprene
494	Viton
500	Nylon Resin Zytel ST801
503	Polyethylene Plastic
505	Polyvinyl Chloride Tubing
507	Teflon Coated Steel

MATERIAL CODE	DESCRIPTION
511	Nylon
512	25% Glass Filled Teflon
514	Ceramic Coated 303 SS
522	Glass Filled Teflon
554	Bronze Ring Construction
579	Heat Treated 303 SS
598	Cellulose & Cork CN-705
603	Nitrile Butadiene
614	Victolex 258/N852 Accopac
621	Sealant - Loctite/STA-LOK
625	Heat Treated Duplex SS
642	All Iron Construction
643	All Bronze Construction
644	Bronze Fitted Construction
645	Aluminum Construction
646	Stainless Steel Construction
647	Ball or Roller Bearings
651	Lube Fittings
652	Oilers
653	Grease or Oil Seals
656	Oil Breathers
660	Gland (Bronze/316 S/S)
661	Gland (Steel/Steel)
662	Gland (Bronze/Steel)
749	B30 P66 171 John Crane Seal
754	BP2CI John Crane Seal
755	B30 P66 271 John Crane Seal
758	BP871 John Crane Seal
764	XP1C1 John Crane Seal
802	Non Asbestos Packing
999	Vendors Standard Material



EDWARDS GEAR PUMPS
MODELS 20, 80, 150,
160, 300, and 400

Materials of Construction

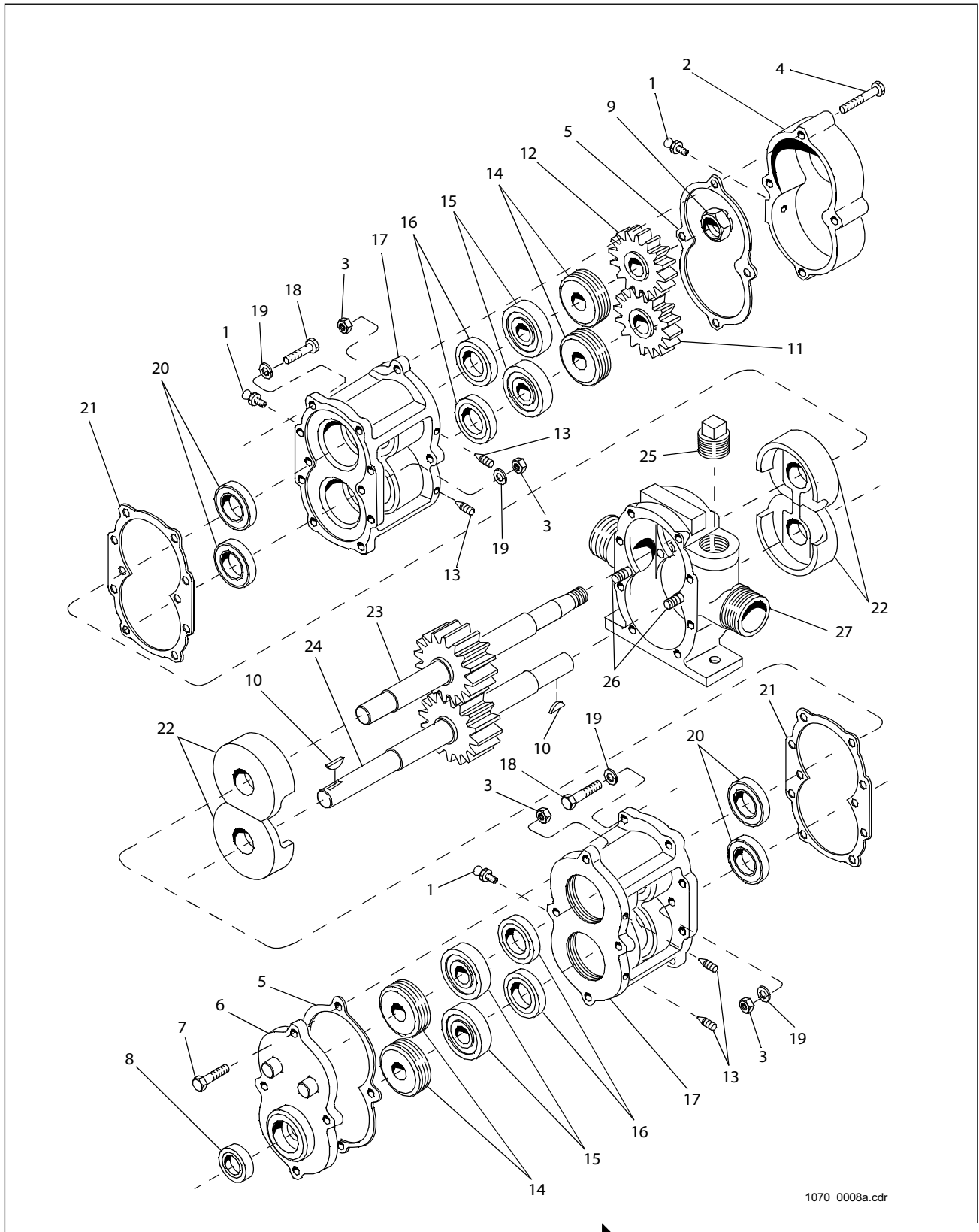
Edwards Model Positive Displacement Rotary Gear Pumps

PUMP PART	BRONZE FITTED	IRON / BRONZE FITTED	STAINLESS / BRONZE FITTED	ALL STAINLESS
Body	Leaded Red Brass, ASTM B584, UNS C83600	Ductile Iron ASTM A536, UNS F331	AISI 316	AISI 316
End Case	Leaded Red Brass, ASTM B584, UNS C83600	Ductile Iron ASTM A536, UNS F331	AISI 316	AISI 316
Rotor	Bronze ASTM B505, UNS C907	Bronze ASTM B505, UNS C907	Bronze ASTM B505, UNS C907	Bronze ASTM B505, UNS C907
Shaft	AISI 303 - Heat Treated	AISI 303 - Heat Treated	AISI 303 - Heat Treated	AISI 303 - Heat Treated
	Duplex, S32205 - Heat Treated *	Duplex, S32205 - Heat Treated *	Duplex, S32205 - Heat Treated *	Duplex, S32205 - Heat Treated *
	AISI 303 - Ceramic Coated *	AISI 303 - Ceramic Coated *	AISI 303 - Ceramic Coated *	AISI 303 - Ceramic Coated *
Covers	Leaded Red Brass, ASTM B584, UNS C83600	Ductile Iron ASTM A536, UNS F331	AISI 316	AISI 316
Liners	Leaded Red Brass, ASTM B584, UNS C83600	Leaded Red Brass, ASTM B584, UNS C83600	Leaded Red Brass, ASTM B584, UNS C83600	AISI 304

* Optional Materials of Construction



MODEL 20
PIECE NUMBERS



1070_0008a.cdr



**MODEL 20
PARTS LIST**

PC. NO.	DESCRIPTION	QTY	PART NO.	BRONZE FITTED
1	Grease Fitting	5	508-0155	651
2	Timing Gear Cover	1	260-0751	208
3	Hex Nut	12	544-0105	082
4	Screw	4	708-1062	999
5	Cover Gasket	2	364-2188	555
	Husky or TSD	1	364-2188	555
6	Front Cover *	1	260-0750	208
7	Screw *	4	708-1061	999
8	Front Cover Seal	1	712-6507	653
	Husky or TSD	2	712-6507	653
9	Timing Gear Locknut	2	544-2285	999
10	Key	1	472-0112	104
11	Timing Gear, Driver	1	368-0124	092
12	Timing Gear, Idler	1	368-0124	092
13	Setscrew	4	708-1064	999
	Husky or TSD	2	708-1064	999
14	Bearing Adjusting Nut *	4	544-1002	208
15	Bearing	4	068-0155	647
16	Grease Seal	4	712-6510	653
17	Endcase	2	116-0555	208
	Husky or TSD	1	116-0555	208
	Husky	1	116-0561	208
	TSD	1	116-0559	208
18	Capscrew	16	168-0256	113
19	Washer	20	908-0106	359
20	Lip Seal (Standard Duty)	4	712-6500	653
	Lip Seal (Heavy Duty)	8	712-6500	653
21	Body Gasket	2	364-2184	555
22A	Liner, Right Hand			
	20-412	2	496-0050	208
	20-414	2	496-0052	208
	20-416	2	496-0054	208
	20-418	2	496-0056	208
	20-420	2	496-0058	208
22B	Liner, Left Hand			
	20-412	2	496-0051	208
	20-414	2	496-0053	208
	20-416	2	496-0055	208
	20-418	2	496-0057	208
	20-420	2	496-0059	208
23	Rotor Assembly - Drive			
	20-412	1	700-0850	644 **
	20-414	1	700-0852	644 **
	20-416	1	700-0854	644 **
	20-418	1	700-0856	644 **
	20-420	1	700-0858	644 **
24	Rotor Assembly - Idler			
	20-412	1	700-0851	644 **
	20-414	1	700-0853	644 **
	20-416	1	700-0855	644 **
	20-418	1	700-0857	644 **
	20-420	1	700-0859	644 **

PC. NO.	DESCRIPTION	QTY	PART NO.	BRONZE FITTED
25	Pipe Plug (part of No. 27)	1	600-0006	190
26	Stud	4	808-5148	104
27	Body	1	096-0151	208
Parts Not Shown:				
	Key (Part of Nos. 23 & 24)			
	Nameplate	1	532-0189	114
	Nameplate Drivescrews	2	708-0013	365
	Retaining Ring (HD #19)	4	676-0057	104
	Lip Seal Cone	1	848-0115	999
	Packing Wrench	1	848-0126	208
	Packing Wrench	1	0210044	---
	Bearing Adjusting Wrench	1	848-0100	999
For Flanged Connections:				
	Flange	2	336-0486	190
	Nipple	2	600-1110	190
*	<i>Not used with Husky or TSD</i>			
**	For Duplex SS Shafts, change material code to			625

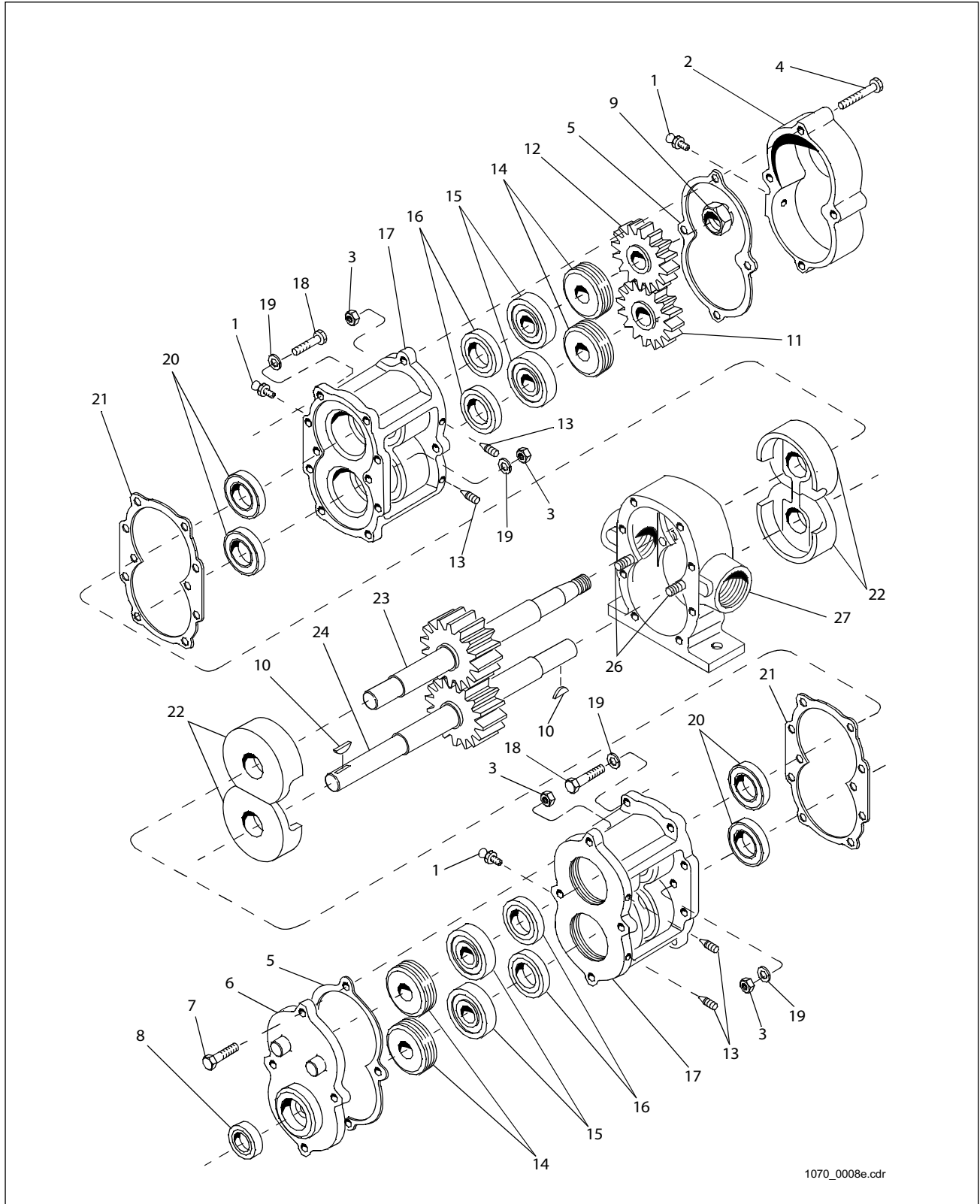
BOLD numbers are recommended spare parts.

- > The above list is for standard pump construction only.
- > When ordering spare parts always include:
 - pump type, pump size, pump serial number, and the piece number from the exploded view in this Repair Parts Index.
- > Edwards - Pentair reserves the right to substitute materials without notice.



EDWARDS
MODEL 80
PIECE NUMBERS

SECTION **EDWARDS** PAGE 6
DATED **JANUARY 2008**



1070_0008e.cdr



AURORA® EDWARDS SERIES

MODEL 80
PARTS LIST

PC. NO.	DESCRIPTION	QTY	PART NO.	BRONZE FITTED
1	Grease Fitting	5	508-0155	651
2	Timing Gear Cover	1	260-0751	208
3	Hex Nut	12	544-0105	082
4	Screw	4	708-1062	999
5	Cover Gasket	2	364-2188	555
	Husky or TSD	1	364-2188	555
6	Front Cover *	1	260-0750	208
7	Screw *	4	708-1061	999
8	Front Cover Seal	1	712-6507	653
	Husky or TSD	2	712-6507	653
9	Timing Gear Locknut	2	544-2285	999
10	Key	1	472-0112	104
11	Timing Gear, Driver	1	368-0124	092
12	Timing Gear, Idler	1	368-0124	092
13	Setscrew	4	708-1064	999
	Husky or TSD	2	708-1064	999
14	Bearing Adjusting Nut *	4	544-1002	208
15	Bearing	4	068-0155	647
16	Grease Seal	4	712-6510	653
17	Endcase	2	116-0555	208
	Husky or TSD	1	116-0555	208
	Husky	1	116-0561	208
	TSD	1	116-0559	208
18	Capscrew	16	168-0256	113
19	Washer	20	908-0106	359
20	Lip Seal (Standard Duty)	4	712-6500	653
	Lip Seal (Heavy Duty)	8	712-6500	653
21	Body Gasket	2	364-2184	555
22A	Liner, Right Hand			
	80-424	2	496-0070	208
	80-428	2	496-0072	208
	80-432	2	496-0074	208
	80-440	2	496-0076	208
22B	Liner, Left Hand			
	80-424	2	496-0071	208
	80-428	2	496-0073	208
	80-432	2	496-0075	208
	80-440	2	496-0077	208
23	Rotor Assembly - Drive			
	80-424	1	700-0860	644 **
	80-428	1	700-0862	644 **
	80-432	1	700-0864	644 **
	80-440	1	700-0866	644 **
24	Rotor Assembly - Idler			
	80-424	1	700-0861	644 **
	80-428	1	700-0863	644 **
	80-432	1	700-0865	644 **
	80-440	1	700-0867	644 **
25	Pipe Plug (part of No. 27)	1	600-0006	190

PC. NO.	DESCRIPTION	QTY	PART NO.	BRONZE FITTED
26	Stud	4	808-5148	104
27	Body	1	096-0151	208
Parts Not Shown:				
Key (Part of Nos. 23 & 24)				
	Nameplate	1	532-0189	114
	Nameplate Drivescrews	2	708-0013	365
	Retaining Ring (HD #19)	4	676-0057	104
	Lip Seal Cone	1	848-0115	999
	Packing Wrench	1	848-0126	208
	Packing Wrench	1	0210044	---
	Bearing Adjusting Wrench	1	848-0100	999
For Flanged Connections:				
	Flange	2	336-0486	190
	Nipple	2	600-1110	190
* Not used with Husky or TSD				
** For Duplex SS Shafts, change material code to 625				

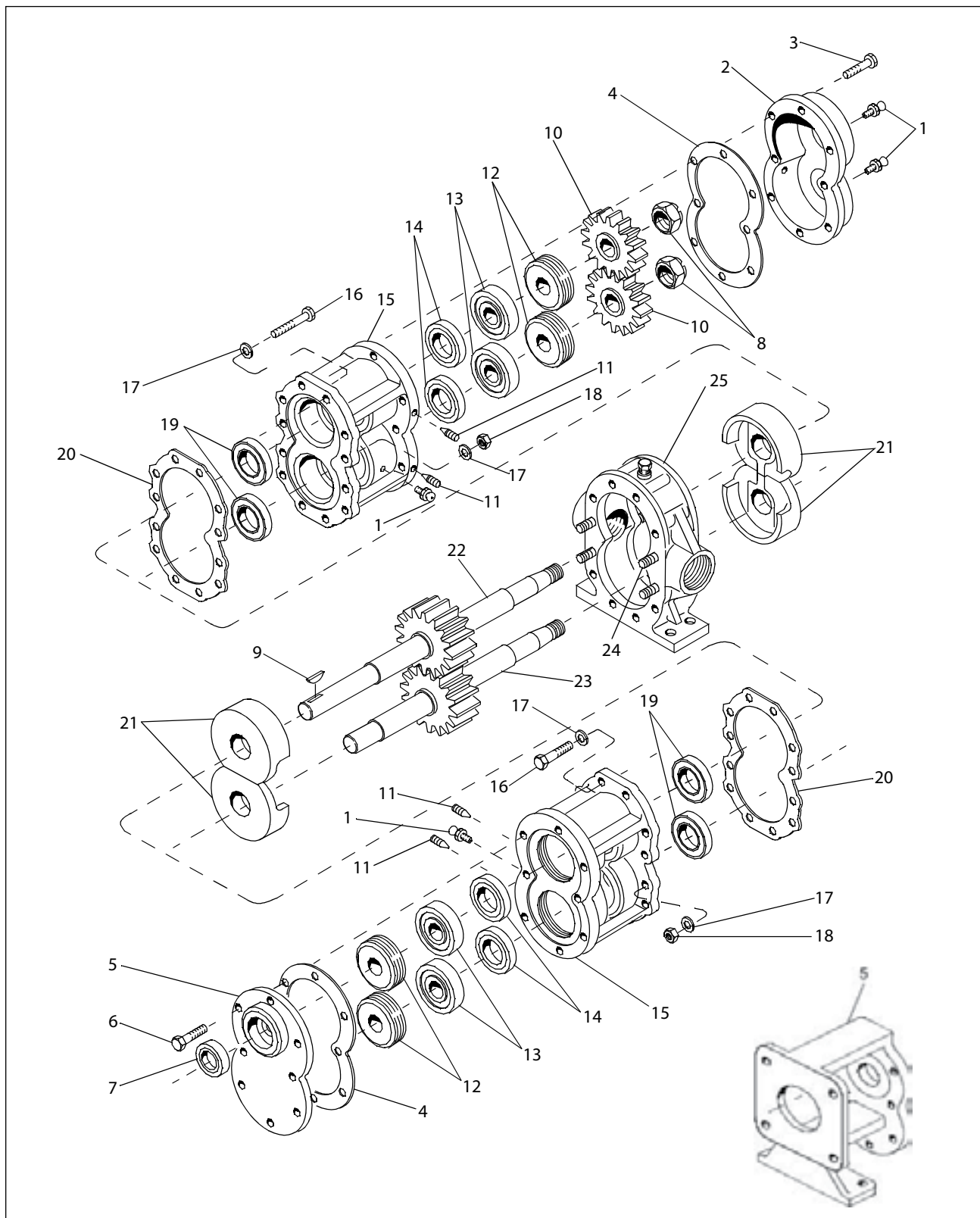
BOLD numbers are recommended spare parts.

- > The above list is for standard pump construction only.
- > When ordering spare parts always include:
pump type, pump size, pump serial number, and the piece number from the exploded view in this Repair Parts Index.
- > Edwards - Pentair reserves the right to substitute materials without notice.



AURORA® EDWARDS SERIES

MODEL 150
PIECE NUMBERS



EDWARDS

**MODEL 150
 PARTS LIST**

PC. NO.	DESCRIPTION	QTY	PART NO.	BRONZE FITTED
1	Grease Fitting	6	508-0155	651
2	Timing Gear Cover	1	260-0753	208
3	Capscrew	8	168-0308	359
4	Cover Gasket	2	364-2187	555
5	Front Cover	1	260-0752	208
	Hydraulic Bracket (optional)	1	116-0564	055
6	Capscrew	8	168-0308	359
7	Front Cover Seal	1	712-6508	653
8	Timing Gear Locknut	2	544-2286	999
9	Key (not used on splined shafts)	1	472-1159	101
10	Timing Gear	2	368-0122	092
11	Setscrew	4	708-1064	999
12	Bearing Adjusting Nut	4	544-1001	208
13	Bearing	4	068-1908	647
14	Grease Seal	4	712-6511	653
15	Endcase	2	116-0556	208
16	Capscrew	16	168-0386	359
17	Washer	24	908/1354	104
18	Nut	8	544-0109	080
19	Lip Seal	4	712-6503	653
20	Body Gasket	2	364-2177	555
21A	Liner, Right Hand			
	150-324	2	496-0080	208
	150-332	2	496-0082	208
	150-338	2	496-0084	208
	150-344	2	496-0086	208
	150-348	2	496-0088	208
21B	Liner, Left Hand			
	150-324	2	496-0081	208
	150-332	2	496-0083	208
	150-338	2	496-0085	208
	150-344	2	496-0087	208
	150-348	2	496-0089	208
22	Rotor Assembly - Drive			
	150-324	1	700-0868	644 **
	150-324 Hydraulic Bracket	1	700-0870	644 **
	150-324 Splined Hydraulic	1	700-0871	644 **
	150-324 Splined	1	700-0872	644 **
	150-332	1	700-0873	644 **
	150-332 Hydraulic Bracket	1	700-0875	644 **
	150-332 Splined Hydraulic	1	700-0876	644 **
	150-332 Splined	1	700-0877	644 **
	150-338	1	700-0878	644 **
	150-338 Hydraulic Bracket	1	700-0880	644 **
	150-338 Splined Hydraulic	1	700-0881	644 **
	150-338 Splined	1	700-0882	644 **
	150-344	1	700-0883	644 **
	150-344 Hydraulic Bracket	1	700-0885	644 **
	150-344 Splined Hydraulic	1	700-0886	644 **
	150-344 Splined	1	700-0887	644 **
	150-348	1	700-0888	644 **
	150-348 Hydraulic Bracket	1	700-0890	644 **
	150-348 Splined Hydraulic	1	700-0891	644 **
	150-348 Splined	1	700-0892	644 **

PC. NO.	DESCRIPTION	QTY	PART NO.	BRONZE FITTED
23	Rotor Assembly - Idler			
	150-324	1	700-0869	644 **
	150-332	1	700-0874	644 **
	150-338	1	700-0879	644 **
	150-344	1	700-0884	644 **
	150-348	1	700-0889	644 **
24	Body Stud	8	808-5149	104
25	Body	1	096-0156	208
	Special Model 155	1	096-0155	208
26	Pipe Plug (part of No. 25)	2	600-0002	190
27	Washer (for hydraulic bracket)	8	908-0109	104
28	Spring Pin (for hydraulic bracket)	2	592-1041	359
	Parts Not Shown:			
	Key (Part of Nos. 22 & 23)			
	Nameplate	1	532-0189	114
	Nameplate Drivescrews	2	708-0013	365
	Lip Seal Cone	1	848-0116	999
	Packing Wrench	1	918-0039	999
	Packing Wrench	1	0210046	---
	Bearing Adjusting Wrench	1	848-0101	999
	For Flanged Connections:			
	Flange	2	336-0486	190
	Nipple	2	600-1110	190
**	For Duplex SS Shafts, change material code to			625

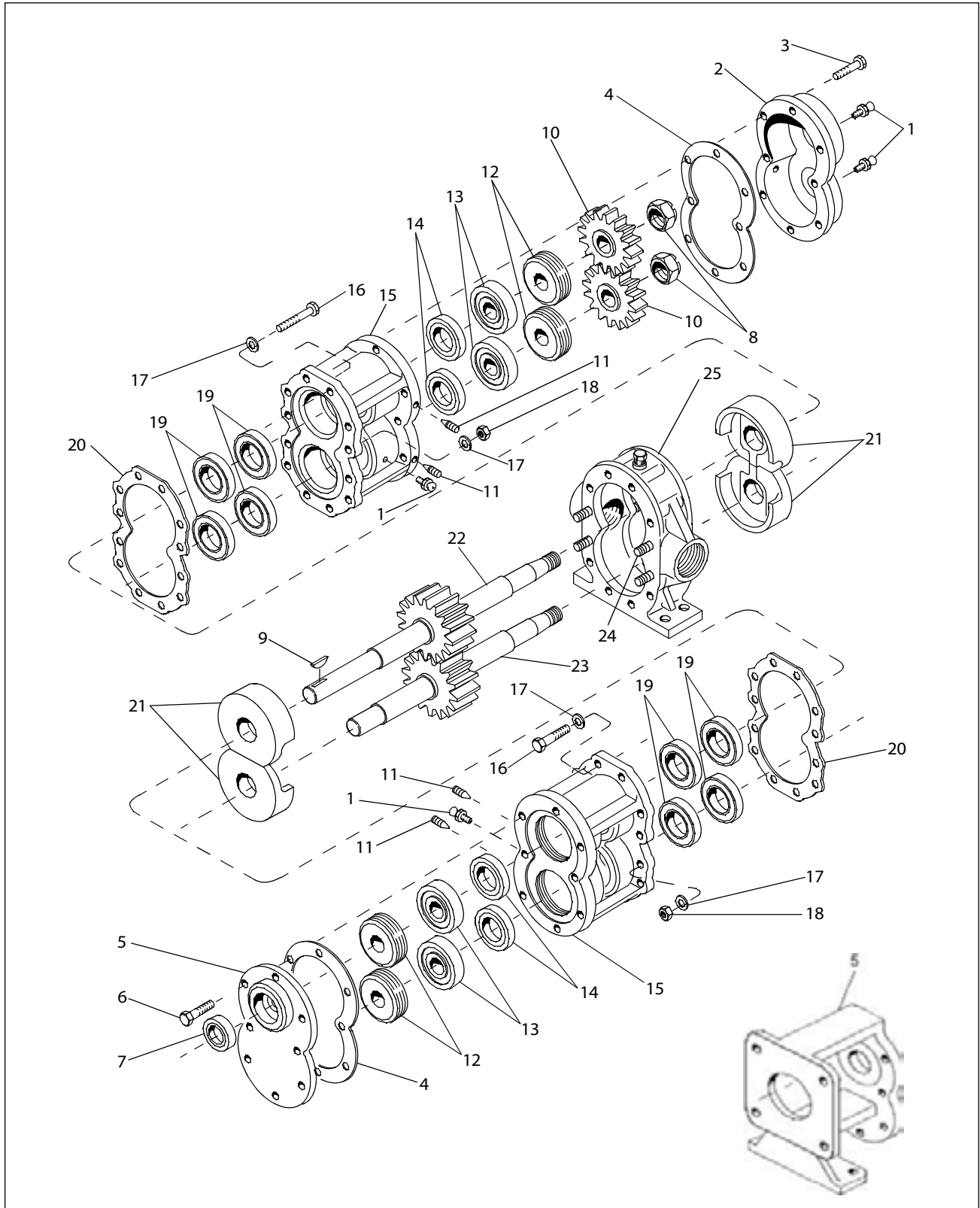
BOLD numbers are recommended spare parts.

- > The above list is for standard pump construction only.
- > When ordering spare parts always include:
 pump type, pump size, pump serial number, and the piece number from the exploded view in this Repair Parts Index.
- > Edwards - Pentair reserves the right to substitute materials without notice.



AURORA® EDWARDS SERIES

MODEL 160
PIECE NUMBERS



MODEL 160
PARTS LIST

PC. NO.	DESCRIPTION	QTY	PART NO.	BRONZE FITTED
1	Grease Fitting	6	508-0155	651
2	Timing Gear Cover	1	260-0753	208
3	Capscrew	8	168-0308	359
4	Cover Gasket	2	364-2187	555
5	Front Cover *	1	260-0752	208
6	Capscrew	8	168-0308	359
7	Front Cover Seal	1	712-6508	653
	HXD	1	712-6509	653
8	Timing Gear Locknut	2	544-2286	999
	HXD	2	544-2287	999
9	Key (not used with splined shaft)	1	472-1159	101
10	Timing Gear	2	368-0122	092
11	Setscrew	4	708-1064	999
12	Bearing Adjusting Nut	4	544-1000	208
13	Bearing	4	068-0158	647
14	Grease Seal	4	712-6512	653
15	Endcase	2	116-0557	208
	HXD	2	116-0558	208
16	Capscrew	16	168-0386	359
	HXD	16	116-0388	359
17	Washer	24	908-1354	104
18	Nut	8	544-0109	080
19	Lip Seal			
	SD	4	712-6504	653
	HD	8	712-6504	653
	HXD	4	712-6505	653
20	Body Gasket	2	364-2177	555
	HXD	2	364-2179	555
21A	Liner, Right Hand			
	160-324 SD, HD, HXD	2	496-0080	208
	160-332 SD, HD, XHD	2	496-0082	208
	160-338 SD, HD, XHD	2	496-0084	208
	160-344 SD, HD	2	496-0090	208
	160-344 XHD	2	496-0092	208
	160-348 SD, HD	2	496-0096	208
	160-348 XHD	2	496-0098	208
21B	Liner, Left Hand			
	160-324 SD, HD, HXD	2	496-0081	208
	160-332 SD, HD, HXD	2	496-0083	208
	160-338 SD, HD, HXD	2	496-0085	208
	160-344 SD, HD	2	496-0091	208
	160-344 XHD	2	496-0093	208
	160-348 SD, HD	2	496-0097	208
	160-348 XHD	2	496-0099	208
22	Rotor Assembly - Drive			
	160-324 SD, HD	1	700-0893	644 **
	160-324 SD, HD Splined	1	700-0895	644 **
	160-324 XHD	1	700-0908	644 **
	160-332 SD, HD	1	700-0896	644 **
	160-332 SD, HD Splined	1	700-0898	644 **
	160-332 XHD	1	700-0910	644 **
	160-338 SD, HD	1	700-0899	644 **
	160-338 SD, HD Splined	1	700-0901	644 **
	160-338 XHD	1	700-0912	644 **

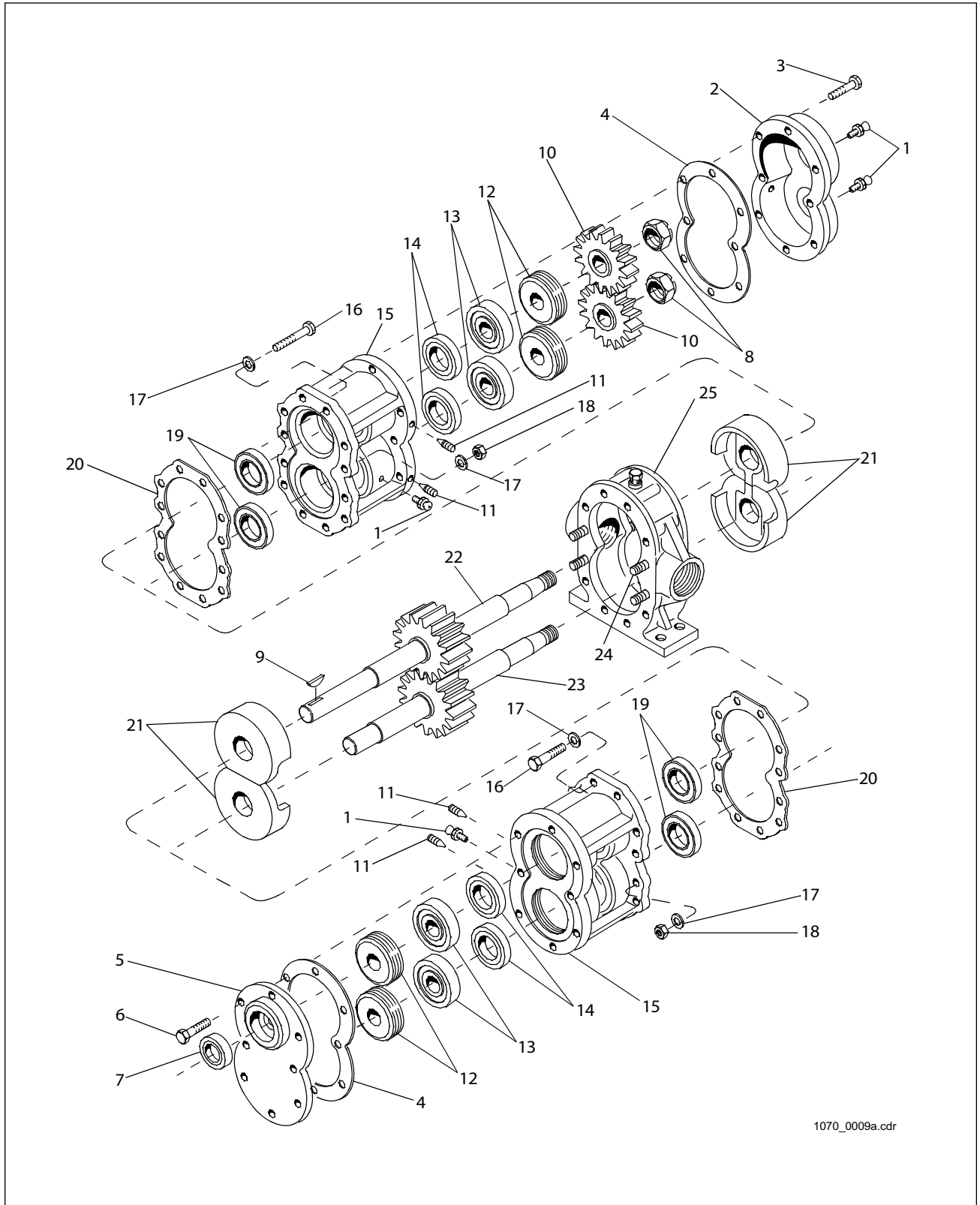
PC. NO.	DESCRIPTION	QTY	PART NO.	BRONZE FITTED
22	Rotor Assembly - Drive			
	160-344 SD, HD	1	700-0902	644 **
	160-344 SD, HD Splined	1	700-0904	644 **
	160-344 XHD	1	700-0914	644 **
	160-348 SD, HD	1	700-0905	644 **
	160-348 SD, HD Splined	1	700-0907	644 **
	160-348 XHD	1	700-0916	644 **
23	Rotor Assembly - Idler			
	160-324 SD, HD	1	700-0894	644 **
	160-324 XHD	1	700-0909	644 **
	160-332 SD, HD	1	700-0897	644 **
	160-332 XHD	1	700-0911	644 **
	160-338 SD, HD	1	700-0900	644 **
	160-338 XHD	1	700-0913	644 **
	160-344 SD, HD	1	700-0903	644 **
	160-344 XHD	1	700-0915	644 **
	160-348 SD, HD	1	700-0906	644 **
	160-348 XHD	1	700-0917	644 **
24	Body Stud	8	808-5149	104
25	Body	1	096-0156	208
	HXD	1	096-0153	208
	Special Model 165	1	096-0155	208
26	Pipe Plug (part of No. 25)	2	600-0002	190
27	Washer (for hydraulic bracket)	8	908-0109	104
28	Spring Pin (for hydraulic bracket)	2	592-1041	359
Parts Not Shown:				
	Key (Part of Nos. 22 & 23)			
	Nameplate	1	532-0189	114
	Nameplate Drivescrews	2	708-0013	365
	Retaining Ring HD, HXD (#19)	4	676-0065	104
	Lip Seal Cone	1	848-0117	999
	Lip Seal Cone	1	848-0118	999
	Packing Wrench	1	0210050	---
	Bearing Adjusting Wrench	1	848-0102	999
	Bearing Adjusting Wrench	1	848-0103	999
For Flanged Connections:				
	Flange	2	336-0486	190
	Nipple	2	600-1110	190
* Not used with hydraulic bracket				
** For Duplex SS Shafts, change material code to 625				

BOLD numbers are recommended spare parts.

- > The above list is for standard pump construction only.
- > When ordering spare parts always include:
pump type, pump size, pump serial number, and the piece number from the exploded view in this Repair Parts Index.
- > Edwards - Pentair reserves the right to substitute materials without notice.



EDWARDS
MODEL 300
PIECE NUMBERS



1070_0009a.cdr



AURORA® EDWARDS SERIES

**MODEL 300
PARTS LIST**

PC. NO.	DESCRIPTION	QTY	PART NO.	BRONZE FITTED
1	Grease Fitting	6	508-0155	651
2	Timing Gear Cover	1	260-0753	208
3	Capscrew	8	168-0308	359
4	Cover Gasket *	2	364-2187	555
5	Front Cover	1	260-0752	208
	Hydraulic Bracket (optional)	1	116-0564	055
6	Capscrew	8	168-0308	359
7	Front Cover Seal	1	712-6508	653
	XHD	1	712-6509	653
8	Timing Gear Locknut	2	544-2286	999
	XHD	2	544-2287	999
9	Key *	1	472-1159	101
10	Timing Gear	2	368-0122	092
11	Setscrew	4	708-1064	999
12	Bearing Adjusting Nut	4	544-1000	208
	XHD	4	544-1003	208
13	Bearing	4	068-0158	647
	XHD	4	068-3010	647
14	Grease Seal	4	712-6512	653
15	Endcase	2	116-0557	208
	XHD	2	116-0558	208
16	Capscrew (360, 368, 372)	16	168-0386	359
	Capscrew (388)	16	168-0388	359
17	Washer	24	908-1354	104
18	Nut	8	544-0109	080
19	Lip Seal (Standard Duty)			
	SD	4	712-6504	653
	HD	8	712-6504	653
	XHD	8	712-6505	653
20	Body Gasket	2	364-2177	555
	XHD	2	364-2179	555
21A	Liner, Right Hand			
	360 SD, HD	2	496-0112	208
	360 XHD	2	496-0114	208
	368 SD, HD	2	496-0116	208
	368 HXD	2	496-0118	208
	372 SD, HD	2	496-0120	208
	372 XHD	2	496-0122	208
	388 SD, HD	2	496-0124	208
	388 XHD	2		208
21B	Liner, Left Hand			
	360 SD, HD	2	496-0113	208
	360 XHD	2	496-0115	208
	368 SD, HD	2	496-0117	208
	368 HXD	2	496-0119	208
	372 SD, HD	2	496-0121	208
	372 XHD	2	496-0123	208
	388 SD, HD	2	496-0125	208
	388 XHD	2		208

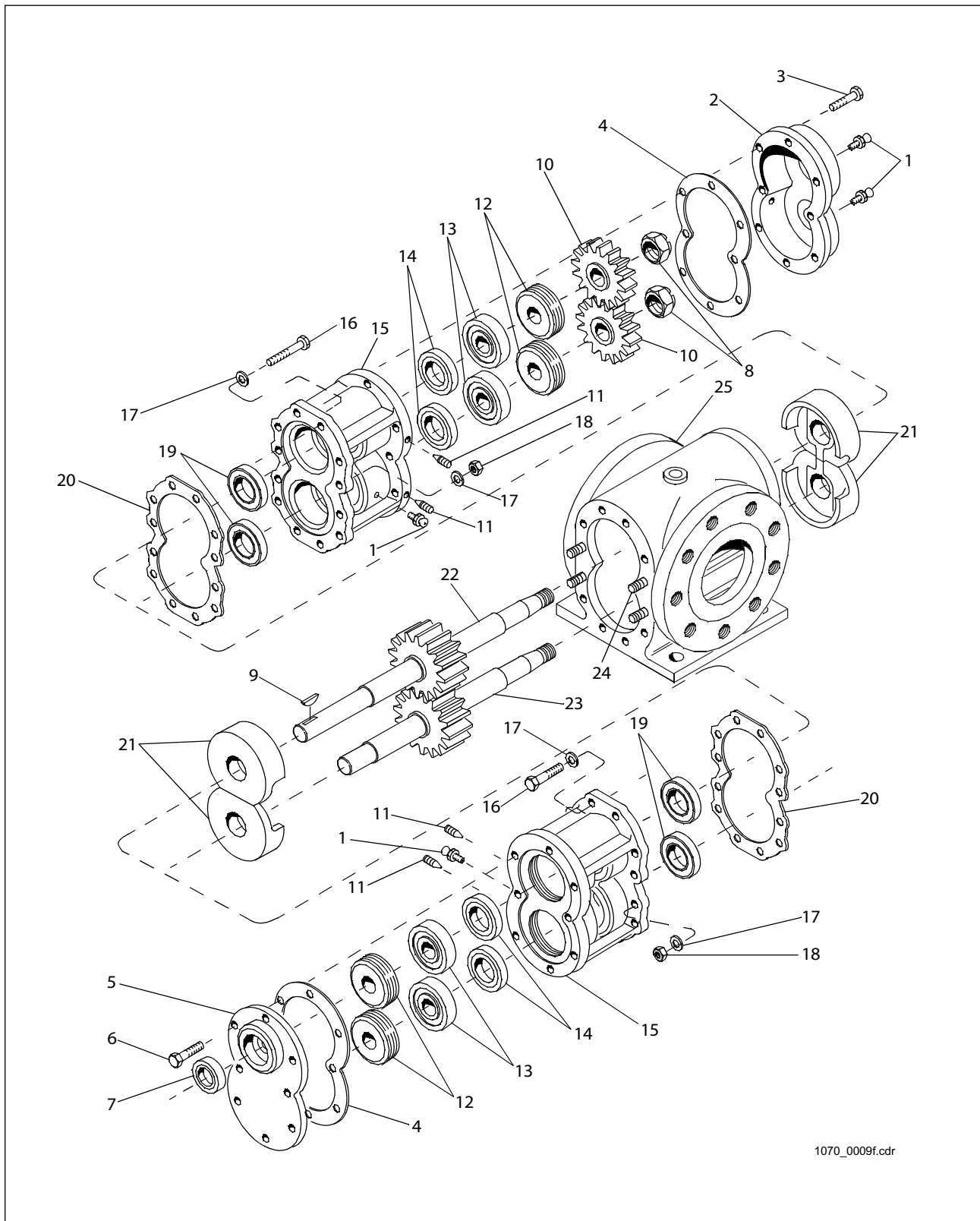
PC. NO.	DESCRIPTION	QTY	PART NO.	BRONZE FITTED
22	Rotor Assembly - Drive			
	360 SD, HD	1	700-0918	644 **
	360 SD, HD Splined	1	700-0920	644 **
	360 XHD	1	700-0930	644 **
	368 SD, HD	1	700-0921	644 **
	368 SD, HD Splined	1	700-0923	644 **
	368 XHD	1	700-0932	644 **
	372 SD, HD	1	700-0924	644 **
	372 SD, HD Splined	1	700-0926	644 **
	372 XHD	1	700-0934	644 **
	388 SD, HD	1	700-0927	644 **
	388 SD, HD Splined	1	700-0928	644 **
	388 XHD	1	700-0936	644 **
23	Rotor Assembly - Idler			
	360 SD, HD	1	700-0919	644 **
	360 XHD	1	700-0931	644 **
	368 SD, HD	1	700-0922	644 **
	368 HXD	1	700-0933	644 **
	372 SD, HD	1	700-0925	644 **
	372 XHD	1	700-0935	644 **
	388 SD, HD	1	700-0928	644 **
	388 XHD	1	700-0937	644 **
24	Body Stud (360, 368, 372)	8	808-5149	104
	Body Stud (388)	8	808-5150	104
25	Body (360, 368, 372)	1	096-0159	208
	Body (388)	1	096-0160	208
26	Pipe Plug (part of No. 25)	2	600-0002	190
27	Washer (for hydraulic bracket)	8	908-0109	104
28	Spring Pin (for hydraulic bracket)	2	592-1041	359
Parts Not Shown:				
	Key (Part of Nos. 22 & 23)			
	Nameplate	1	532-0189	114
	Nameplate Drivescrews	2	708-0013	365
	Retaining Ring (for #19 Lip Seal)	4	676-0065	104
	XHD	4	676-0078	104
	Lip Seal Cone	1	848-0117	999
	Lip Seal Cone	1	848-0118	999
	Packing Wrench	1	0210050	---
	Bearing Adjusting Wrench	1	848-0102	999
	Bearing Adjusting Wrench	1	848-0103	999
*	Not used with hydraulic bracket			
**	For Duplex SS Shafts, change material code to			625

BOLD numbers are recommended spare parts.

- > The above list is for standard pump construction only.
- > When ordering spare parts always include:
pump type, pump size, pump serial number, and the piece number from the exploded view in this Repair Parts Index.
- > Edwards - Pentair reserves the right to substitute materials without notice.



MODEL 400
PIECE NUMBERS



1070_0009f.cdr



EDWARDS

**MODEL 400
 PARTS LIST**

PC. NO.	DESCRIPTION	QTY	PART NO.	BRONZE FITTED
1	Grease Fitting	6	508-0155	651
2	Timing Gear Cover	1	260-0753	208
	400-140	1	206-0755	208
3	Capscrew	8	168-0314	359
4	Cover Gasket	2	364-2187	555
5	Front Cover	1	260-0752	208
6	Capscrew	8	168-0308	359
7	Front Cover Seal	1	712-6509	653
8	Timing Gear Locknut	2	544-2287	999
9	Key	1	472-0274	101
10	Timing Gear	2	368-0123	092
11	Setscrew	4	708-1064	999
12	Bearing Adjusting Nut	4	544-1003	208
13	Ball Bearing	4	068-3010	647
14	Grease Seal	4	712-6512	653
15	Endcase	2	116-0558	208
16	Capscrew	16	168-0388	359
17	Washer	24	908-1354	104
18	Nut	8	544-0109	082
19	Lip Seal	8	712-6505	653
20	Body Gasket	2	364-2179	555
21A	Liner, Right Hand			
	092	2	496-0140	208
	112	2	496-0142	208
	128	2	496-0144	208
	140	2	496-0146	208
21B	Liner, Left Hand			
	092	2	496-0141	208
	112	2	496-0143	208
	128	2	496-0145	208
	140	2	496-0147	208
22	Rotor Assembly - Drive			
	092	1	700-0938	644 **
	112	1	700-0940	644 **
	128	1	700-0942	644 **
	140	1	700-0944	644 **
23	Rotor Assembly - Idler			
	092	1	700-0939	644 **
	112	1	700-0941	644 **
	128	1	700-0943	644 **
	140	1	700-0945	644 **
24	Stud	8	808-5150	104
25	Body			
	092, 112	1	096-0163	208
	128	1	096-0165	208
	140	1	096-0164	208

PC. NO.	DESCRIPTION	QTY	PART NO.	BRONZE FITTED
Parts Not Shown:				
	Key (Part of Nos. 22 & 23)			
	Nameplate	1	532-0189	114
	Nameplate Drivescrews	2	708-0013	365
	Retaining Ring, HD (#19)	4	676-0078	104
	Lip Seal Cone	1	848-0117	999
	Lip Seal Cone	1	848-0118	999
	Packing Wrench	1	0210050	---
	Bearing Adjusting Wrench	1	848-0102	999
	Bearing Adjusting Wrench	1	848-0103	999
**	For Duplex SS Shafts, change material code to			625

BOLD numbers are recommended spare parts.

- > The above list is for standard pump construction only.
- > When ordering spare parts always include:
 pump type, pump size, pump serial number, and the piece number from the exploded view in this Repair Parts Index.
- > Edwards - Pentair reserves the right to substitute materials without notice.



AURORA® EDWARDS SERIES



AURORA® EDWARDS SERIES

800 Airport Road,
North Aurora, IL 60542
phone: 630-859-7000
fax: 630-859-7060
website: www.AuroraPump.com

NOTE:
Edwards reserves the right to make revisions to its products and their specifications, and to this bulletin and related information without notice